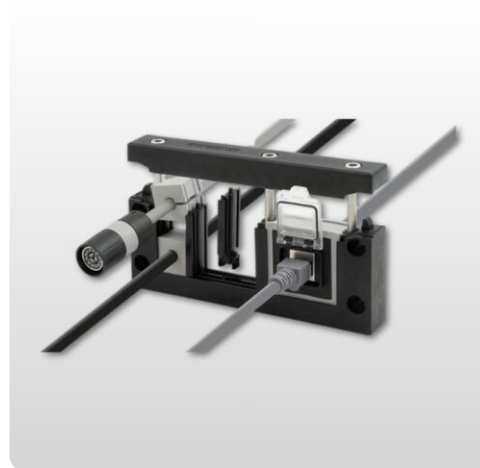


Cable entry frame | KEL-ERM VARIO

Divisible frame | with variable dividers | for cables with connector | IP65 | UL Type 12

| | |
|-------------------|---|
| Article: | KEL-ERM VARIO |
| Brand: | icotek |
| IP rating: | IP54, IP55, IP64, IP65 |
| UL Type: | UL Type 12 |
| Flammability: | UL94-V0, self-extinguishing |
| Temperature: | -40°C to 140°C |
| Material: | Polyamide |
| Mounting options: | Screw mounting |
| Characteristics: | vibration-resistant, UV-resistant, silicone-free, anti-corrosive (V2A versions), halogen-free |



Description

KEL-ERM VARIO is the logical further development of icotek's proven cable entry system.

It is specially designed for routing pre-assembled cables and offers maximum flexibility: Different configurations can be easily implemented – without having to replace the frame. A special feature is the plug-in dividers, which allow the frame to be individually adapted to the respective application. This means that the KEL-ERM VARIO can be equipped with different numbers of large or small feedthroughs. A single base frame is sufficient for all variants of a frame size.

Note: Dividers are included in the delivery.

Depending on the sleeve used, cables with diameters from 1 to 16 mm (single sleeves KT1 to KT15) or 16 to 35 mm (single sleeves KT16 to KT34) can be safely routed, sealed with protection class IP65 or UL type 12, and strain relieved according to EN 62444.

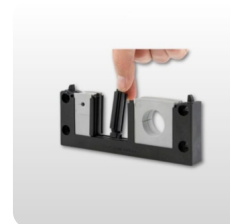
Just like with KEL-ER, the cable glands are automatically fixed in the frame during assembly. Once fully assembled, the cover is screwed on securely.

The KEL-ERM VARIO is compatible with standard cut-outs for 10, 16, and 24-pin heavy-duty connectors. The KEL-ERM VARIO B size is based on 46 x 46 mm cut-outs (e.g. for controllers, meters).

Thanks to the injected seal and the use of simple eyelets, the high IP65 protection class is maintained even in flexible configurations.

The modular concept reduces the number of components needed, saves storage space, and simplifies planning, design, and assembly. At the same time, it increases flexibility in enclosure construction and device integration.

This product is available in different versions: With steel screws or stainless steel screws. It is also possible to integrate threaded bushings. Please ask us about your desired variant.



Article number

Download the PDF