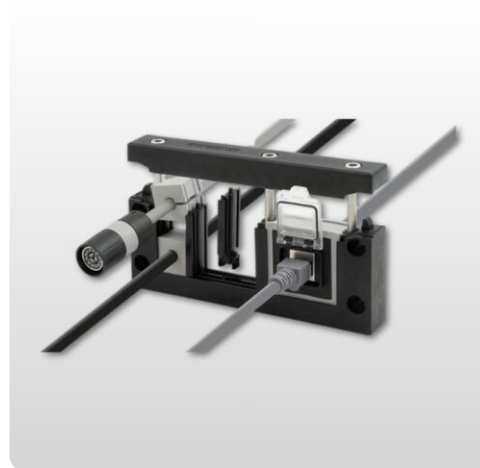


## Cable entry frame | KEL-ERM VARIO

Divisible frame | with variable dividers | for cables with connector | IP65 | UL Type 12

Article:	KEL-ERM VARIO
Brand:	icotek
IP rating:	IP54, IP55, IP64, IP65
UL Type:	UL Type 12
Flammability:	UL94-V0, self-extinguishing
Temperature:	-40°C to 140°C
Material:	Polyamide
Mounting options:	Screw mounting
Characteristics:	vibration-resistant, UV-resistant, silicone-free, anti-corrosive (V2A versions), halogen-free



### Description

KEL-ERM VARIO is the logical further development of icotek's proven cable entry system.

It is specially designed for routing pre-assembled cables and offers maximum flexibility: Different configurations can be easily implemented – without having to replace the frame. A special feature is the plug-in dividers, which allow the frame to be individually adapted to the respective application. This means that the KEL-ERM VARIO can be equipped with different numbers of large or small feedthroughs. A single base frame is sufficient for all variants of a frame size.

Note: Dividers are included in the delivery.

Depending on the sleeve used, cables with diameters from 1 to 16 mm (single sleeves KT1 to KT15) or 16 to 35 mm (single sleeves KT16 to KT34) can be safely routed, sealed with protection class IP65 or UL type 12, and strain relieved according to EN 62444.

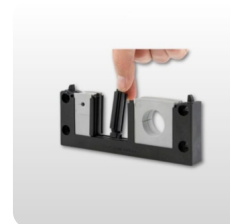
Just like with KEL-ER, the cable glands are automatically fixed in the frame during assembly. Once fully assembled, the cover is screwed on securely.

The KEL-ERM VARIO is compatible with standard cut-outs for 10, 16, and 24-pin heavy-duty connectors. The KEL-ERM VARIO B size is based on 46 x 46 mm cut-outs (e.g. for controllers, meters).

Thanks to the injected seal and the use of simple eyelets, the high IP65 protection class is maintained even in flexible configurations.

The modular concept reduces the number of components needed, saves storage space, and simplifies planning, design, and assembly. At the same time, it increases flexibility in enclosure construction and device integration.

This product is available in different versions: With steel screws or stainless steel screws. It is also possible to integrate threaded bushings. Please ask us about your desired variant.



Article number

Art.No	Description	Mounting type	Number of Cables	Maximum cable diameter	Length mm	Width mm	Height mm	Mounting height	Punching	Unit	Pc
68341	KEL-ERM VARIO 24	Screw mounting	10	35	147	65	22	22	112 x 36	st	10
68341.200	KEL-ERM VARIO 24 V2A	Screw mounting	10	35	147	65	22	22	112 x 36	st	10
68342	KEL-ERM VARIO 16	Screw mounting	8	35	120	65	22	22	86 x 36	st	10
68342.200	KEL-ERM VARIO 16 V2A	Screw mounting	8	35	120	65	22	22	86 x 36	st	10
68343	KEL-ERM VARIO 10	Screw mounting	6	35	98	65	22	22	65 x 36	st	10
68343.200	KEL-ERM VARIO 10 V2A	Screw mounting	6	35	98	65	22	22	65 x 36	st	10
68344	KEL-ERM VARIO B	Screw mounting	4	35	73	65	22	22	46 x 46	st	10
68344.200	KEL-ERM VARIO B V2A	Screw mounting	4	35	73	65	22	22	46 x 46	st	10
68345	KEL-ERM VARIO divider	Snap-in								st	